



NS-208G/NS-208AG NSM-208G/NSM-208AG

Unmanaged 8-port Industrial 10/100/1000 Base-T Ethernet Switch

Features

- Automatic MDI/MDI-X crossover for plug-and-play
- Store-and-forward architecture
- Full duplex IEEE 802.3x and half duplex backpressure flow control
- Supports +12 VDC ~ +48 VDC power input for NS-208AG and NSM-208AG
- Each port supports 10/100 and 1000 Mbps speed auto negotiation
- Supports 9K Jumbo Frames for Speed 1000M



Introduction

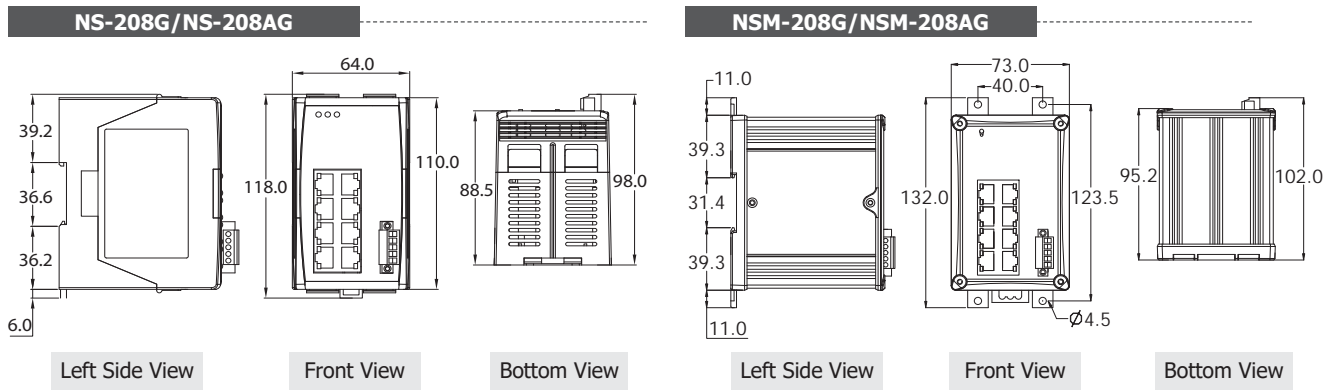
The NS-208G/NSM-208G has 8 Ethernet Switching ports that support 10/100/1000 Base-T, with a 10/100/1000M auto negotiation feature and auto MDI/MDI-X function. It can connect 8 workstations and automatically switches the transmission speed (10 Mbps or 100 Mbps or 1000 Mbps) for corresponding connections.

The flow control mechanism is also negotiated. There is link/data rate LEDs for each port to aid troubleshooting. Port connectors are shielded RJ-45.

Specifications

Model	NS-208G	NS-208AG	NSM-208G	NSM-208AG
LED Indicators				
Status	Power, 10/100/1000M, Link/Act			
Ethernet				
Ports	8 x RJ-45, 10/100/1000 Base-T			
Standards	IEEE 802.3, 802.3u, 802.3ab and 802.3x			
Processing Type	Store & forward			
MAC Table	4096			
Frame Buffer Memory	1.5 Mbit			
Flow Control	IEEE 802.3x flow control, back pressure flow control			
Jumbo Frames	9 K for Speed 1000 M			
Isolation	1500 Vrms 1 minute			
Power				
Reverse Polarity Protection	Yes			
Input Range	+10 VDC ~ +30 VDC	+12 VDC ~ +48 VDC	+10 VDC ~ +30 VDC	+12 VDC ~ +48 VDC
Consumption	0.3 A @ 24 VDC			
Mechanical				
Casing	Plastic		Metal	
Dimensions (mm)	64 x 118 x 98 (W x L x H)		73 x 132 x 102 (W x L x H)	
Installation	DIN-Rail Mounting		DIN-rail mounting or wall mounting	
Ingress Protection Rating	-		IP20	
Environment				
Operating Temperature	-40 °C ~ +75 °C			
Storage Temperature	-40 °C ~ +75 °C			
Humidity	10% ~ 90% RH, non-condensing			

■ Dimensions (Units: mm)



■ Ordering Information

NS-208G CR	Unmanaged 8-port 10/100/1000 Base-T Ethernet Switch with Power Input +10 VDC ~ +30 VDC (RoHS)
NS-208AG CR	Unmanaged 8-port 10/100/1000 Base-T Ethernet Switch with Power Input +12 VDC ~ +48 VDC (RoHS)
NSM-208G CR	Unmanaged 8-port 10/100/1000 Base-T Ethernet Switch with Power Input +10 VDC ~ +30 VDC, metal casing (RoHS)
NSM-208AG CR	Unmanaged 8-port 10/100/1000 Base-T Ethernet Switch with Power Input +12 VDC ~ +48 VDC, metal casing (RoHS)

■ Accessories

MDR-20-24 CR	Power Supply, 85~264 VAC to 24 VDC/1 A, 24 W, DIN-rail mounting (RoHS)
MDR-60-48 CR	Power Supply, 85~264 VAC to 48 VDC/1.25 A, 60 W, DIN-rail mounting (RoHS)